



(INT+43 1/ NAT 01)  
TEL 360 20 - 0 / FAX - 1234  
A-1194 VIENNA, P.O. BOX 2

# GG - DATA SHEET

-IN DOUBT, THE GERMAN ORIGINAL GOVERNS THIS TRANSLATION-

**K 7924**

GG-STANDARD

**E1**

ISSUE

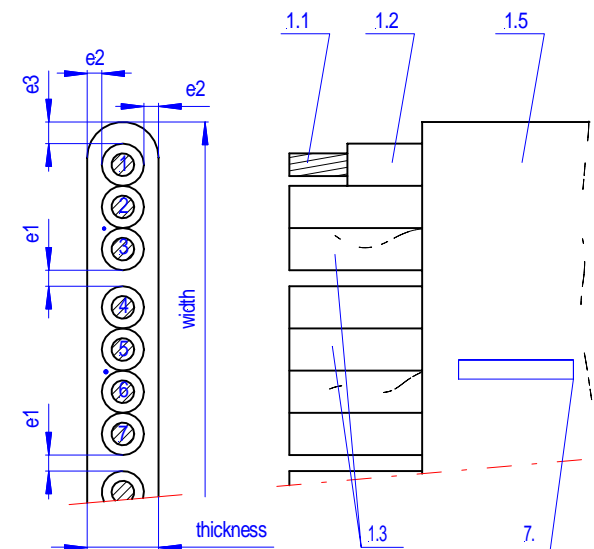
## 1. DESIGN DATA

- 1.1 CONDUCTOR** : Nominal cross section area 1.0mm<sup>2</sup>, bare copper wires, (31 wires,  $\varnothing$  0.20mm), material and conductor construction according to CENELEC HD 383, fine strand, class 5.
- 1.2 INSULATION** : PVC, type TI1 according to CENELEC HD 21.1/S2, table 1, Shore A 90  $\pm$  5 according to DIN 53505, colour : bk with number marking according to CENELEC HD 186/S2, Pt. 6, gnye without number marking, measurements according to EN 50214, test according to CENELEC HD 21.1/S2, Pt. 5.2.
- 1.3 ARRANGEMENT** : the cores are summarized in groups according to EN 50214; each group includes a tearing thread.
- 1.4 PARTING COMPOUND** : GG-special parting compound.
- 1.5 SHEATH** : PVC, type TM2 according to CENELEC HD 21.1/S2, table 2, Shore A 82  $\pm$  5 according to DIN 53505, colour: bk, measurements according to EN 50214, test according to CENELEC HD 21.1/S2, Pt. 5.5.

## 2. CHARACTERISTICS

- 2.1 NOMINAL VOLTAGE (50 Hz)** : 300/500 V<sub>eff</sub>.
- 2.2 TEST VOLTAGE (50 Hz)** : 2 kV<sub>eff</sub> / 15 minutes CENELEC HD 21.1/S2, table 3, Pt. 2.
- 2.3 OPERATION TEMPERATURE** : -20°C to +70°C

- 3. BENDING RADIUS** : min. 8-x thickness of cable according to CENELEC HD 516/S1, table 6.2
- 4. BENDING TEST** : min. 30.000 bending cycles according to EN 50214.
- 5. FREE HANGING LENGTH** : max. 45m (max. lift height 80m).
- 6. LIFT SPEED** : max. 6.3 m/s according to EN 50214.
- 7. IDENTIFICATION** : Imprint "GEBAUER & GRILLER - H05VVH6-F ..G1 - ÖVE - HAR - production date - meter marking" on sheath (distance  $\leq$  500mm).
- 8. DELIVERY MAKE-UP** : On wooden drums with regular length see table.



## Polyflex

Table flexible PVC-flat cables without strain bearing member 300/500V.

Typ H05VVH6-F ..

GG-PART No.

-

DESIGNED

STRASSER

CHECKED

PALMSTEINER

DATE

06.02.2014

EXTERNAL SPECIFICATION

EN 50214

PAGE

1 of 3



(INT+43 1/ NAT 01)  
TEL 360 20 - 0 / FAX - 1234  
A-1194 VIENNA, P.O. BOX 2

# GG - DATA SHEET

-IN DOUBT, THE GERMAN ORIGINAL GOVERNS THIS TRANSLATION-

**K 7924**

GG-STANDARD

**E1**

ISSUE

## PVC-CORE ACCORDING TO EN 50214

NOMINAL- CROSS- SECTION  [mm <sup>2</sup> ]	SINGLE WIRE		CONDUCTOR		P V C - C O R E				
	NUMBER  approx.	MAX. DIA- METER  [mm]	MAX. DIA- METER  [mm]	MAX. RESISTANCE at 20°C  [Ω/km]	WALL THICKNESS OF INSULATION min.  [mm] [mm]		MAX. DIAMETER /-TOLERANCE  [mm] [mm]	MIN. INSULATION- RESISTANCE at 70°C  [MΩ.km]	TEST VOLTAGE at 50 Hz  [kV <sub>eff</sub> /5 MINUTES]
1,0	31	0,21	1,4	19,5	0,60	0,44	2,6 / -0,2	0,010	1,5

### P o l y f l e x

Table flexible PVC-flat cables without  
strain bearing member 300/500V.

Typ H05VVH6-F ..

GG-PART No.  
-

DESIGNED  
STRASSER

CHECKED  
PALMSTEINER

DATE  
06.02.2014

EXTERNAL SPECIFICATION  
EN 50214

PAGE  
2 of 3

(INT+43 1/ NAT 01)  
TEL 360 20 - 0 / FAX - 1234  
A-1194 VIENNA, P.O. BOX 2**GG - DATA SHEET**

-IN DOUBT, THE GERMAN ORIGINAL GOVERNS THIS TRANSLATION-

**K 7924**

GG-STANDARD

**E1**

ISSUE

**FLEXIBLE PVC-FLAT CABLES WITHOUT STRAIN BEARING MEMBER**

NUMBER OF CORES		WALL THICKNESS OF SHEATH			MEASUREMENTS (standard) thickness x width [mm]	WEIGHT (approx.) [g/m]	DELIVERY MAKE-UP [drum]	REGULAR LENGTH [km]	GG-PART No. GNYE CORE	
total [-]	each group [-]	e1 nom./min. [mm] [mm]	e2 nom./min. [mm] [mm]	e3 nom./min. [mm] [mm]					yes	/ no
6	3 + 3	1,0 / 0,6	0,9 / 0,67	1,5 / 1,0	4,3 x 19,0	161	E-10	2,0	55 647	--
9	3 + 3 + 3	1,0 / 0,6	0,9 / 0,67	1,5 / 1,0	4,3 x 27,5	227	E-10	1,0	59 508	--
12	4 + 4 + 4	1,0 / 0,6	0,9 / 0,67	1,5 / 1,0	4,3 x 35,0	295	E-12	1,0	48 970	--
14	3 + 4 + 4 + 3	1,0 / 0,6	0,9 / 0,67	1,5 / 1,0	4,3 x 41,0	338	E-12	1,0	64 572	--
16	4 + 4 + 4 + 4	1,0 / 0,6	0,9 / 0,67	1,5 / 1,0	4,3 x 46,0	391	E-10	1,0	48 972	--
18	4 + 5 + 5 + 4	1,0 / 0,6	0,9 / 0,67	1,5 / 1,0	4,3 x 51,0	435	E-12	1,0	48 979	--
20	4 + 4 + 4 + 4 + 4	1,0 / 0,6	0,9 / 0,67	1,5 / 1,0	4,3 x 57,0	483	E-12	1,0	40 750	--
24	4 + 4 + 4 + 4 + 4 + 4	1,0 / 0,6	0,9 / 0,52	1,5 / 1,0	4,3 x 68,0	578	E-12	1,0	48 981	--

Notation example : H05VVH6-F 18G1.

Lay of gnye core :

at 6-core type the gnye core is between core No. 2 and No. 3.

at 8-core type the gnye core is between core No. 3 and No. 4.

at 9-core type the gnye core is between core No. 5 and No. 6.

at 12-, 14-, 16-, 18- and 20- core type the gnye core is between core No. 7 and No. 8.

at 24- core type the gnye core is between core No. 13 and No. 14.

**P o l y f l e x**Table flexible PVC-flat cables without  
strain bearing member 300/500V.**Typ H05VVH6-F ..**

GG-PART No.	DESIGNED	CHECKED	DATE	EXTERNAL SPECIFICATION	PAGE
-	STRASSER	PALMSTEINER	06.02.2014	EN 50214	3 of 3